

## *For Your Information ...*

### Setting Infrared Rebroadcasting Preferences for a Spacer System™ Remote Wall Mounted Master Control (SPS-5WCR)

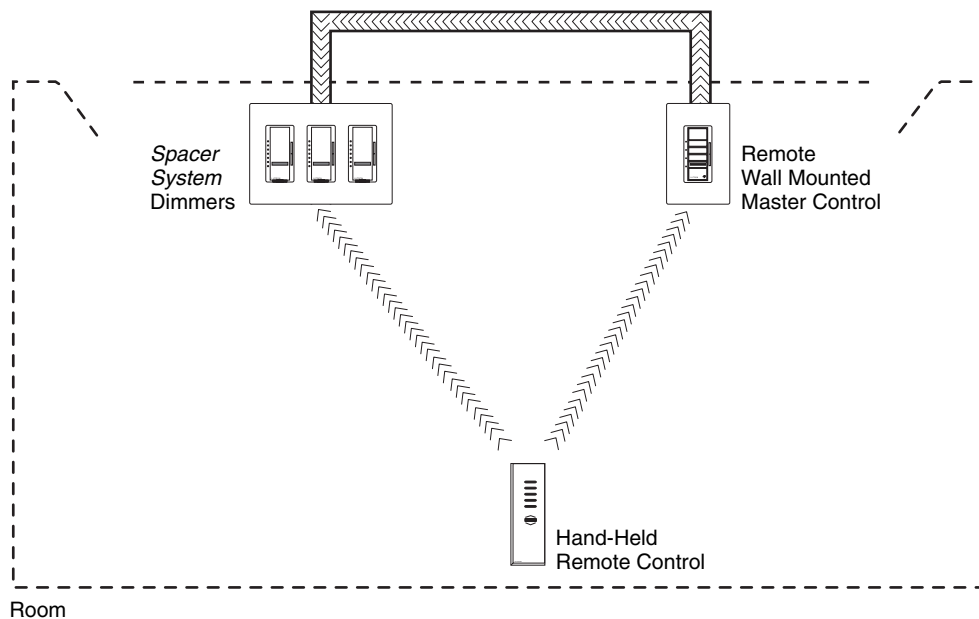


#### Overview

In some *Spacer System* applications, a Remote Wall Mounted Master Control (SPS-5WCR) and the dimmers that it controls may simultaneously receive IR signals from the same source, such as a hand-held remote control. Under these conditions, the following symptoms may occur:

- Scenes cannot be programmed using a hand-held remote control.
- The lights only respond to a press or release of the raise/lower button. Holding the button has no effect.

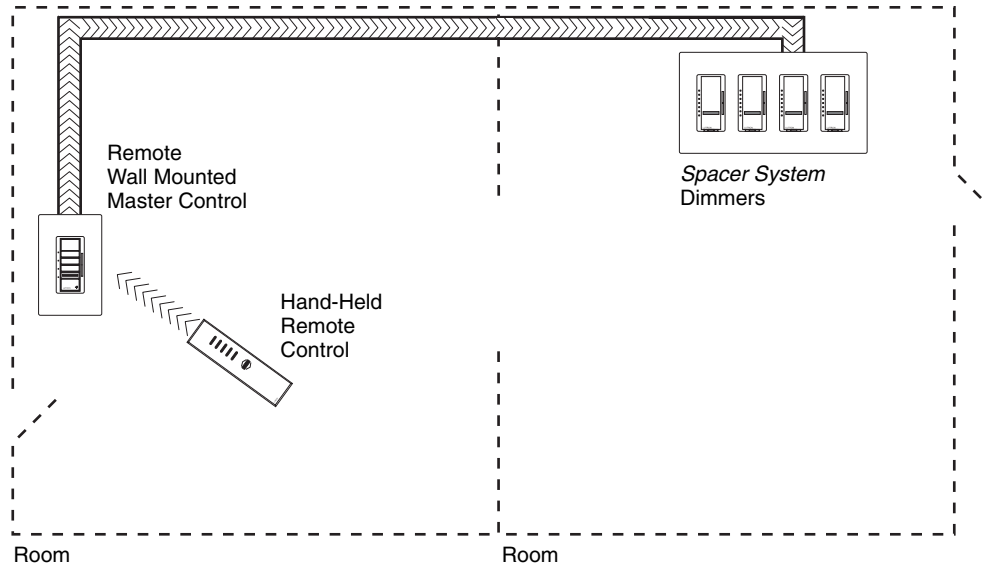
These symptoms may occur because the Remote Wall Mounted Master Control rebroadcasts any IR signal it receives to the dimmers, causing the dimmers to receive the signal twice. Because the dimmers receive two signals from two different sources at the same time, they are unable to respond to the original signal that was sent.



## Defining the Different Applications

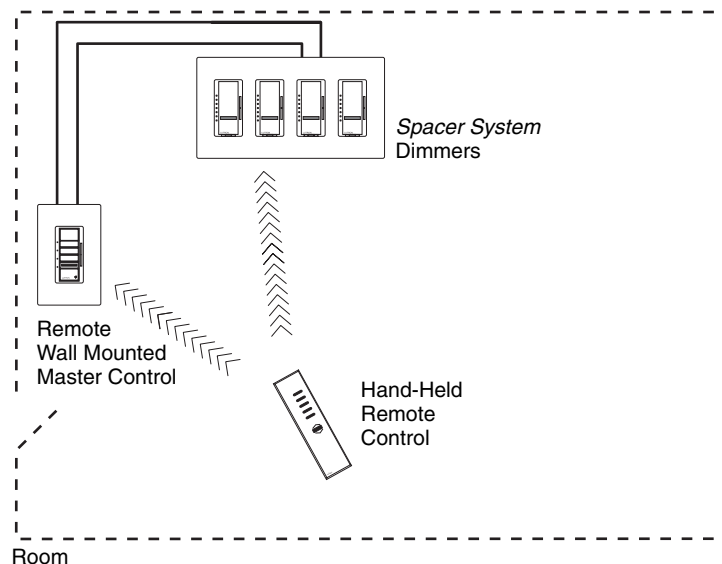
### Application A - IR Rebroadcasting Enabled (Default Setting)

In a typical application, the *Spacer System* dimmers do not receive the IR signals that are being sent to a Remote Wall Mounted Master Control. When the Remote Wall Mounted Master Control receives IR signals from a hand-held remote control, the Remote Wall Mounted Master Control rebroadcasts these IR signals to the dimmers.



### Application B - IR Rebroadcasting Disabled

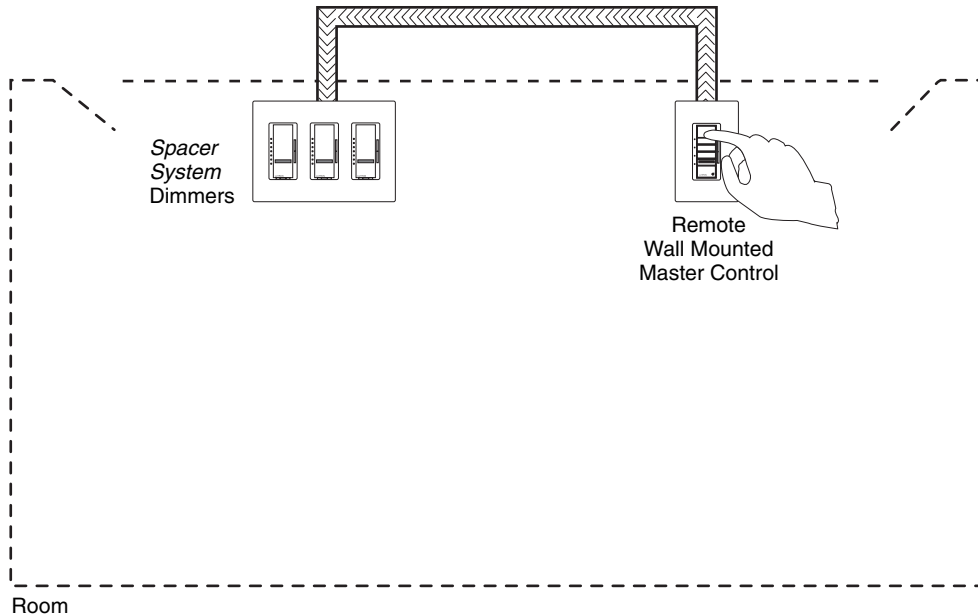
In some applications the Remote Wall Mounted Master Control and the *Spacer System* dimmers are all within the range of the hand-held remote control. Since the dimmers are capable of receiving the IR signal from the hand-held remote control, the IR rebroadcasting ability on the SPS-5WCR is disabled so that the signal is not repeated to the dimmers.



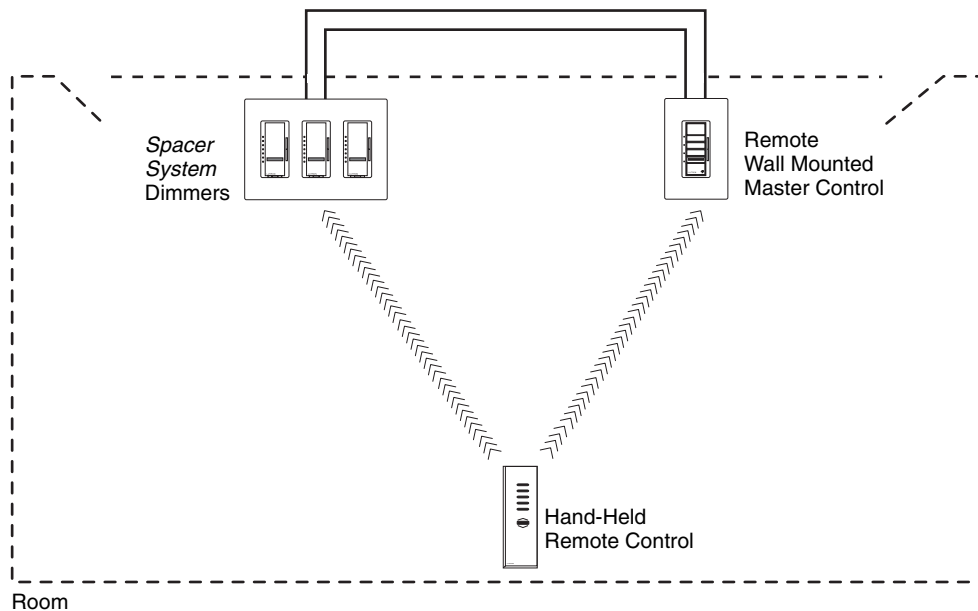
## The Solution

In applications where the Master Control and the dimmers are simultaneously within range of the hand-held remote control, there is no need for the SPS-5WCR to rebroadcast the IR signals that it receives. It is recommended that the user disable the Remote Wall Mounted Master Control's ability to rebroadcast IR signals (refer to the section entitled *Selecting the IR Rebroadcasting Preferences*). With this ability disabled, the SPS-5WCR can still perform lighting control when one of its buttons is pressed, but it will prevent the dimmers from receiving duplicate IR signals from the SPS-5WCR.

### Manual Scene Control



### Scene Control with a Hand-Held Remote Control



**Need additional assistance? Call the Lutron Technical Support Center 1-800-523-9466  
Please provide exact model number when calling.**

## Selecting the IR Rebroadcasting Preference

**Note:** This can be performed on the Remote Wall Mounted Master Control only. This function is not available on any hand-held remote control.

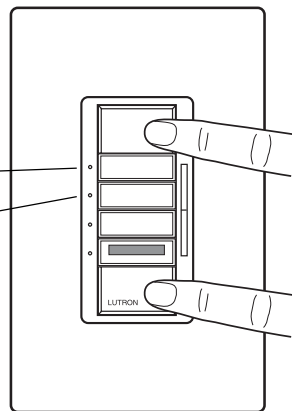
### To select the IR Rebroadcasting Preference:

1. Press and hold the top and bottom buttons (full ON and OFF) until one of the LEDs begin to blink (approximately 2 seconds). The blinking LED indicates whether the Remote Wall Mounted Master Control is set for Application A or B as shown by the diagram below.
2. Once the LED begins blinking, continue to hold the top and bottom buttons until the initial LED stops blinking and the other scene LED begins blinking (approximately 2 additional seconds). This indicates that the Remote Wall Mounted Master Control has successfully changed between Applications A and B.
3. Release the buttons.

**LEDs** - Indicate current mode.

**Application A** - IR Rebroadcasting Enabled

**Application B** - IR Rebroadcasting Disabled



### Worldwide Technical and Sales Assistance

If you need assistance call the toll-free **Lutron Technical Support Center**. Please provide exact model number when calling.  
(800) 523-9466 (U.S.A. and Canada)  
Other countries call (610) 282-3800  
Visit us on the web at [www.lutron.com](http://www.lutron.com)

Lutron Electronics Co., Inc.  
7200 Suter Road  
Coopersburg, PA 18036-1299 U.S.A.  
Phone: (610) 282-3800  
Fax: (610) 282-3090

Lutron and Spacer are registered trademarks and Spacer System is a trademark of Lutron Electronics Co. Inc.  
© 2003 Lutron Electronics, Co., Inc.

**Need additional assistance? Call the Lutron Technical Support Center 1-800-523-9466  
Please provide exact model number when calling.**

Lutron Electronics Co., Inc.  
7200 Suter Road  
Coopersburg, PA 18036-1299 U.S.A.  
Made and printed in U.S.A. 2/03 P/N 048-004 Rev. A