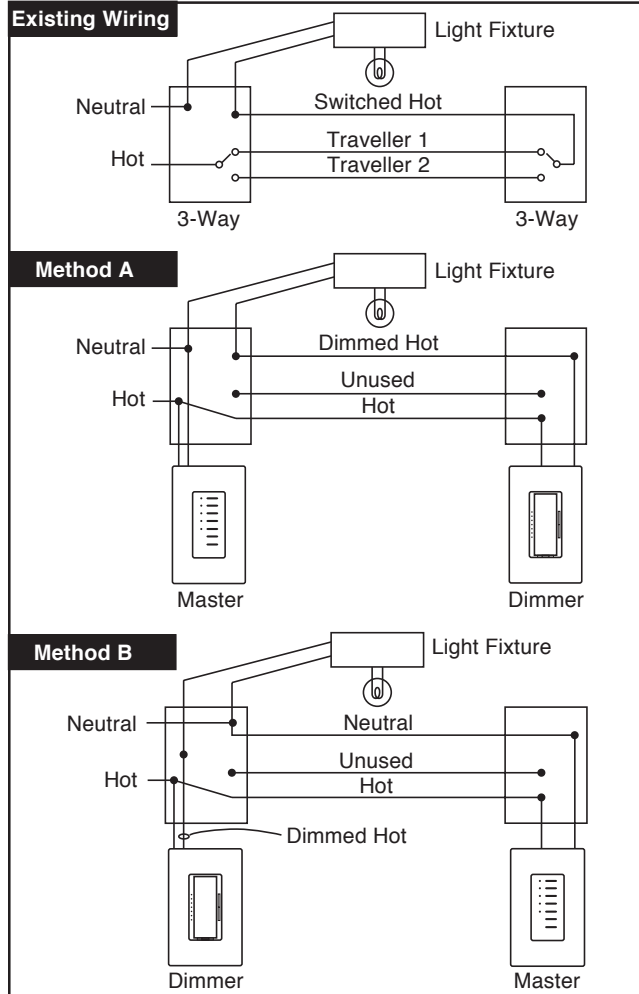


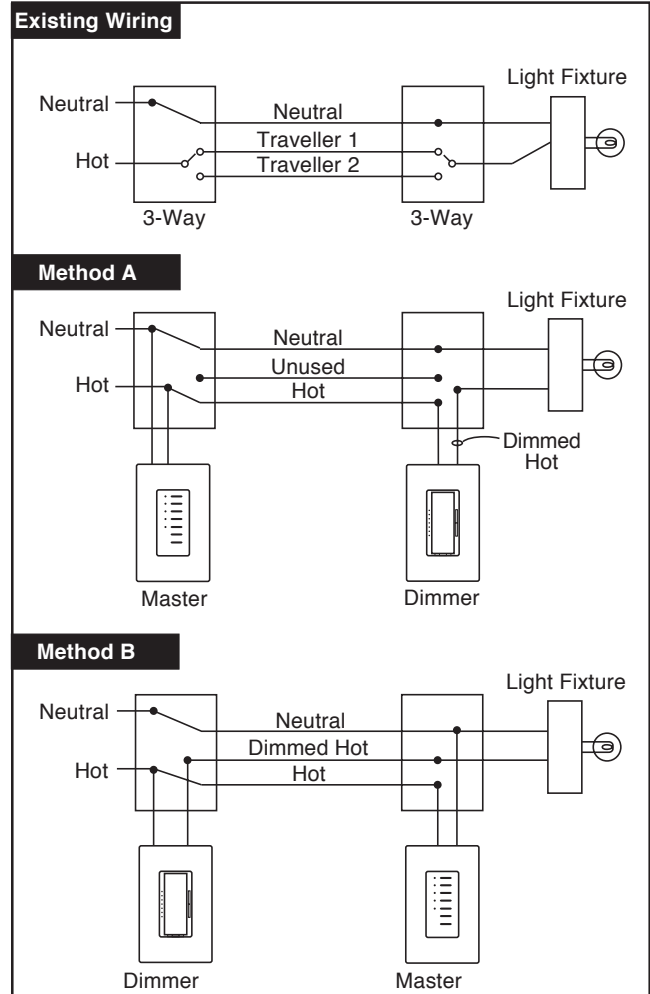
How to retrofit a RadioRA® Wall-Mounted Master Control into an existing home into an existing home

Option #1: Replace a 3-Way Switch

SCHEME A

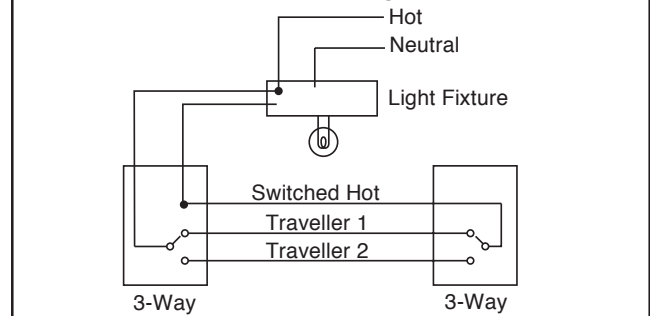


SCHEME B

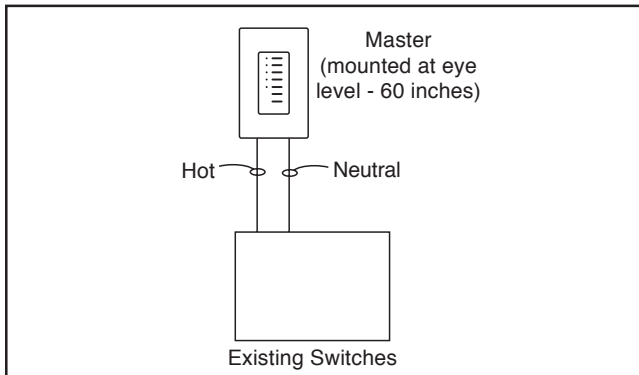


SCHEME C (DO NOT ATTEMPT!)

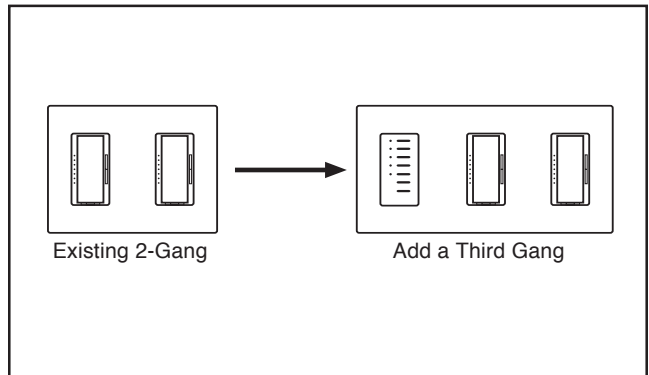
NOTE: This is an example of a wiring scheme that WILL NOT WORK when retrofitting a Master Control.



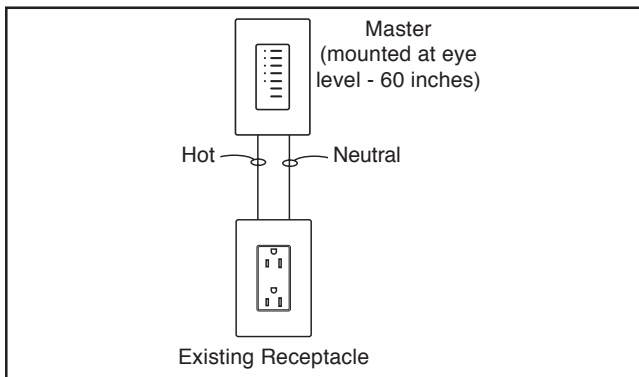
Option #2: Add a New Box Over an Existing Box



Option #3: Add a Gang to an Existing Box

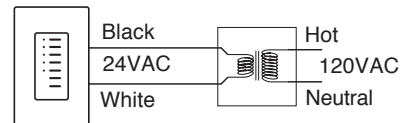


Option #4: Add a Box Over an Existing Receptacle



Option #5: Add a Box and Power from a 24VAC Source

RadioRA Slim Button Wall Master Controls can be powered from a 24VAC source. For transformer sizing allow 9 watts per control. This option **cannot** be used with *RadioRA* Large Button Master Controls.



Order Lutron part number:
 163-198 (surface mount with wire leads)
 163-214 (junction box mount direct wire)
 163-219 (plug in)

Worldwide Headquarters

Lutron Electronics Co., Inc.
 7200 Suter Road
 Coopersburg, PA 18036-1299 U.S.A.
 PHONE: (610) 282-3800
 FAX: (610) 282-3090

Lutron and RadioRA are registered trademarks of Lutron Electronics Co., Inc.
 © 2004 Lutron Electronics Co., Inc.

Need additional assistance? Call the Lutron Technical Support Center 1-800-523-9466
Please provide exact model number when calling.

Lutron Electronics Co., Inc.
 7200 Suter Road
 Coopersburg, PA 18036-1299 U.S.A.
 Made and printed in U.S.A. 9/04 P/N 048-130 Rev. A